



# IE Series

Crane SCALE



**CAS**  
S • C • A • L • E

# IE Series Crane Scale

## Features

- 100 to 2000 lb capacities
- LCD or LED Display (1.1 inches/30mm)
- Battery Operated
- Low Battery and Overload Indicators
- High Intensity Hook and Shackle
- Heavy Duty Aluminum die cast case
- Includes:
  - AC Adapter
  - Rechargeable Battery
  - Wireless Remote Control

## Applications

- Recycling
- Material Handling Applications
- Shipping/Receiving

## Specifications

Model	IE Series				
<b>Max Cap</b>	100 x 0.05 lbs	200 x 0.1 lbs	500 x 0.2 lbs	1000 x 0.5 lbs	2000 x 1 lb
<b>Ext Resolution</b>	1/2000 - 1/3,000				
<b>Max Tare</b>	Full Tare				
<b>Display Digit</b>	5 Digits				
<b>Display Type</b>	LCD or LED				
<b>Function Key</b>	Power, Zero, Tare, Hold				
<b>Operating Power</b>	DC 9V/1500mA				
<b>Remote Ctrl Range</b>	10M				
<b>Dimensions</b>	8.9 (W) x 14.8 (H) x 5.1 (D) 225 (H) x 375 (H) x 130 (D)		8.7 (W) x 15.9 (H) x 5.1 (D) 225 (W) x 405 (H) x 130 (D)		
<b>Product Weight</b>	8.8 lbs / 4 kg		9.3 lbs / 4.2 kg		

## Built Tough

Built to last with its sturdy aluminum die casting. The IE Series Crane Scale offers a compact portable design and will give you years of trouble free operation.

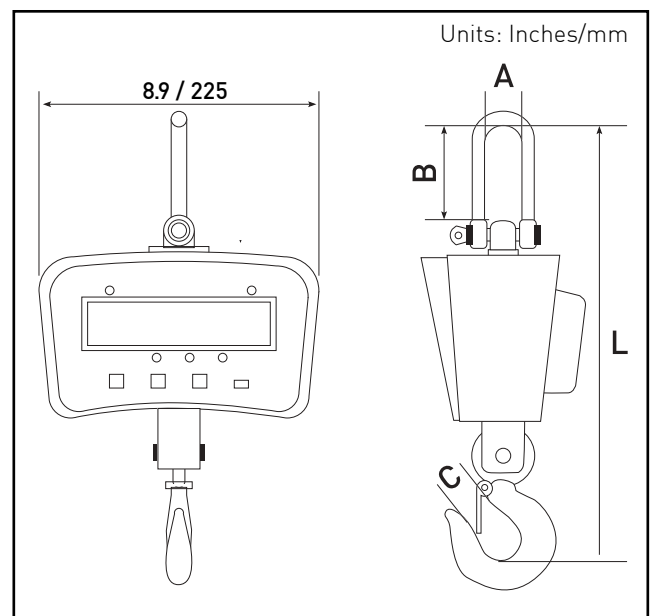
## Hours of Use

A fully charged battery will offer up to 50 hours of use.

## Easy to Read

Large 1.1 inch LCD or LED displays for easy reading from a long distance.

## Dimensions



Model	IE Series				
<b>Max Cap</b>	100	200	500	1000	2000
<b>L</b>	13.2 / 335		14.2 / 360		
<b>A</b>	.8 / 20		.98 / 25		
<b>B</b>	2.6 / 65		2.95 / 75		
<b>C</b>	.8 / 20		.8 / 20		



## CAS USA Corporation Corporate Office

99 Murray Hill Parkway  
East Rutherford, NJ 07073  
Tel: (201) 933-9002  
Fax: (201) 933-9025  
<http://www.cas-usa.com>

